

MERIDIAN

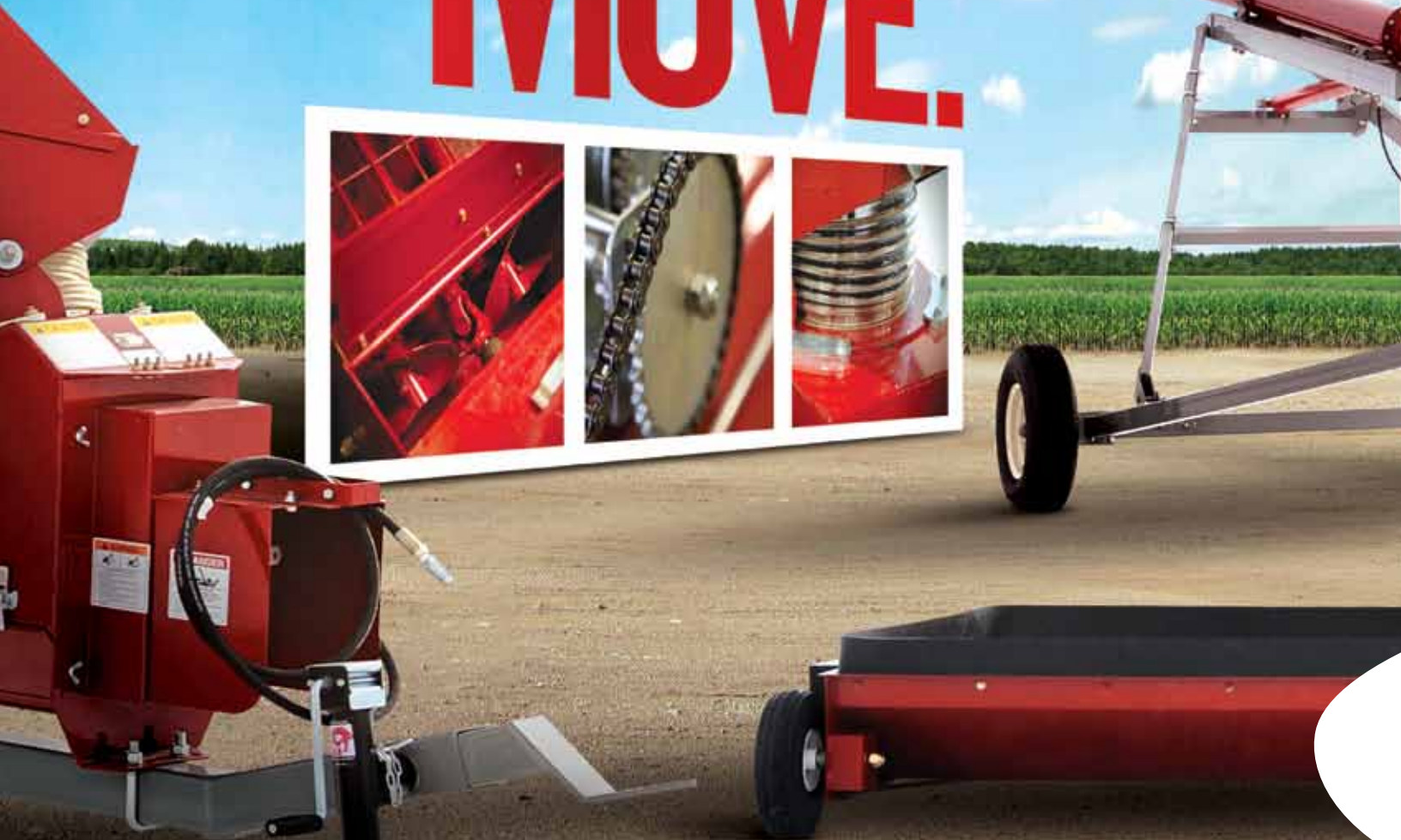


SWING AWAY AUGERS



Make your move.

MAKE YOUR MOVE.



MERIDIAN

At Meridian, we want to help our customers get their work done faster,
safer & more efficiently. Our products are designed with the features
that farmers need and constructed using high-quality parts and
industry-leading manufacturing techniques, meaning that our
augers keep performing, season after season.



MeridianAugers.com

SLMD SCISSOR LIFT MECHANICAL DRIVE GRAIN AUGER



HOPPER

The self-leveling, low profile hopper features a patented drive system that turns the two Super-Edge™ flighting augers toward the center of the hopper and creates a smooth flow of product to the feed tube.



TRANSITION

Enclosed transition between the feed auger and the main tube reduces dust while the easy access clean out doors make clearing the tube and maintaining parts easy.



AXLE

Wheels can expand from axle to provide greater stability during operation and can be removed easily for repairs.



HEAD END

Heavy duty gear boxes in the feed auger head and main tube can handle any delivery challenge.



HOPPER LIFT

Accommodate any operating situation by placing the hopper on the left or right hand side of the main tube.

ACCESSORIES

- Polyethylene telescoping spout (42" length)
- Radial tires (sold in pairs)
- Swing-Away Hopper Mover

FLIGHTING

We roll form the flighting directly onto the shaft to create a long lasting product that is balanced to run smooth and quiet. That means less wear and tear and an increased lifespan on every auger we manufacture. Flighting shaft connections are made with a spline coupler which allows for flexible movement of the shaft within the tube.



We know your livelihood depends on moving grain **safely and quickly.**

Our **SLMD** augers provide the **durable, steadfast quality** farmers can rely on to move product **efficiently** and without worry. Quality is in the details.

Meridian augers are powder coated producing a long lasting finish. It's durable and it looks

good, now and into the future adding value for resale.

We understand your needs. At Meridian, the reversing kit comes standard with our swing away augers and we're **the only ones** who can say that.

SLMD

SCISSOR LIFT MECHANICAL DRIVE GRAIN AUGER

AN INDUSTRY FIRST

Meridian augers are backed by an unprecedented, **three-year parts and labor warranty.** Visit MeridianAugers.com for full details.



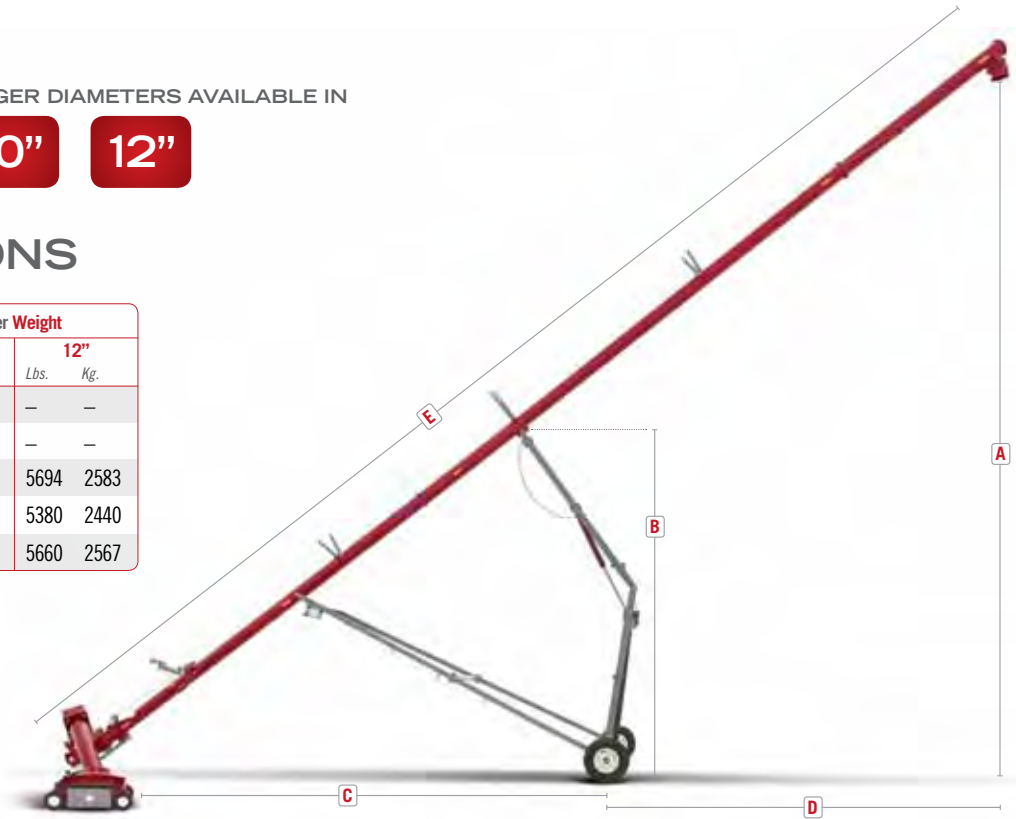
AUGER DIAMETERS AVAILABLE IN

10"

12"

SPECIFICATIONS

Model	Auger Length		Auger Weight			
	Feet	Meters	10"		12"	
			Lbs.	Kg.	Lbs.	Kg.
SLMD59	59' 0"	18	3120	1415	—	—
SLMD66	65' 7"	20	3310	1501	—	—
SLMD72	72' 2"	22	3500	1588	5694	2583
SLMD79	78' 8"	24	—	—	5380	2440
SLMD85	85' 3"	26	—	—	5660	2567



		SLMD59		SLMD66		SLMD72		SLMD79		SLMD85	
		Feet	Meters	Feet	Meters	Feet	Meters	Feet	Meters	Feet	Meters
A	RAISED	37' 11"	11.8	41' 11"	12.8	46' 1"	14.0	49' 6"	15.0	53' 7"	16.3
	LOWERED	12' 1"	3.7	12' 1"	3.7	12' 2"	3.7	10' 9"	3.3	10' 9"	3.3
B	RAISED	20' 11"	6.4	22' 11"	7.0	25' 0"	7.6	27' 4"	8.3	29' 4"	8.9
	LOWERED	6' 8"	2.0	6' 8"	2.0	6' 8"	2.0	6' 6"	2.0	6' 6"	2.0
C	RAISED	25' 11"	8.0	28' 2"	8.6	30' 4"	9.3	33' 1"	10.1	35' 9"	10.9
	LOWERED	30' 1"	9.1	33' 3"	10.1	36' 6"	11.1	43' 1"	13.1	46' 5"	14.1
D	RAISED	20' 4"	6.2	23' 4"	7.2	26' 3"	8.0	28' 3"	8.6	30' 10"	9.4
	LOWERED	26' 2"	8.0	29' 8"	9.0	33' 0"	10.1	34' 8"	10.6	37' 11"	11.6
E		59' 0"	18.0	65' 7"	20.0	72' 2"	22.0	79' 0"	24.0	85' 7"	26.1

	SLMD10	SLMD12
Auger Tube	10" OD x 13 gauge tubing	12" OD x 12 gauge tubing
Flight	7 gauge	7 gauge
Drive	PTO	PTO
Lift	4 1/2" OD Hydraulic Cylinder	4 1/2" OD Hydraulic Cylinder
Swing Auger	Low Profile, PTO driven incl. Steel cut sprockets & high speed roller chain	Low Profile, PTO driven incl. Steel cut sprockets & high speed roller chain
Undercarriage	2" x 6" x 3/16" and 3" x 4" x 3/16" square structural tubing	2" x 6" x 3/16" and 3" x 4" x 3/16" square structural tubing
Wheels	16" wheels c/w tapered roller bearings	16" wheels c/w tapered roller bearings
Hopper Size	36" x 52" x 10"	41" x 52" x 12"
Power Required	50 - 90 HP Tractor	100 - 120 HP Tractor
Capacity Per Hour	4,500 - 6,000 bushels per hour	7,800 - 9,000 bushels per hour



MeridianAugers.com

Toll Free: 1 (855) 564-5947

2902 Expansion Blvd.
Storm Lake, Iowa, United States 50588

2800 Pasqua St. North, PO Box 1996
Regina, Saskatchewan, Canada S4P 3E1

927 Douglas Street
Brandon, Manitoba, Canada R7A 7B3

MERIDIAN



CONVENTIONAL AUGERS



Make your move.

MAKE YOUR MOVE.

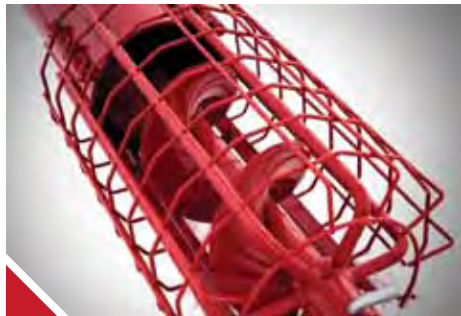


MERIDIAN

At Meridian, we want to help our customers get their **work done faster, safer & more efficiently.** Our products are designed with the features that farmers need and constructed using high-quality parts and **industry-leading manufacturing** techniques, meaning that our augers keep performing, **season after season.**

MeridianAugers.com

HD HEAVY DUTY GRAIN AUGER



INTAKE

Not just the fastest loading auger, but also the safest. Shielded auger intake for safer operation.



UNDERCARRIAGE

Our innovative undercarriage/axle design results in better weight distribution.



MOTOR MOUNT

We were the original patent holders on the self-leveling motor mount, which ensures consistent belt tension regardless of the height of the auger.



HEAD END

Our head end features induction hardened sprockets and heavy-duty roller bearings for unparalleled performance and reliability.



GEAR BOX

Heavier gear boxes feature oil baths, forged steel gears and quality roller bearings.



FLIGHTING

We roll form the flighting directly onto the shaft to create a long lasting product that is balanced to run smooth and quiet. That means less wear and tear and an increased lifespan on every auger we manufacture. We offer continuous flighting on all models up to 53 feet in length. For longer models, a spline coupler is used for the connection to allow flexibility within the flighting shaft.



LIFT

High performance brake winches provide easy raising and lowering of the auger.



GUARDS

Our guards on all moving parts make maintenance and repairs simple and reduce the risk of an accident.



ACCESSORIES:

- PTO attachment (*includes spline adaptor, v-pulley and pulley guard. PTO shaft not included.*)
- PTO shaft, telescoping non-separable (*90" max. length, safety shielded, 1 3/8" x 6" spline, quick-disconnect yoke on both ends c/w ball bearing shearing device.*)
- Polyethylene telescoping spout (*42" length*)
- Radial tires (*sold in pairs*)
- Two and four wheel movers
- Engine mount and gearbox style electric clutch

HD

HEAVY DUTY GRAIN AUGER

Our **HD** auger models are built to be **efficient and versatile**, accommodating any job.

Meridian's frame design allows for **better weight distribution**, which makes it easier to move the auger and **provides stability** when the auger is operating in the raised position.



Truck Load Models also available.

AN INDUSTRY FIRST

Meridian augers are backed by an unprecedented, **three-year parts and labor warranty**. Visit MeridianAugers.com for full details.

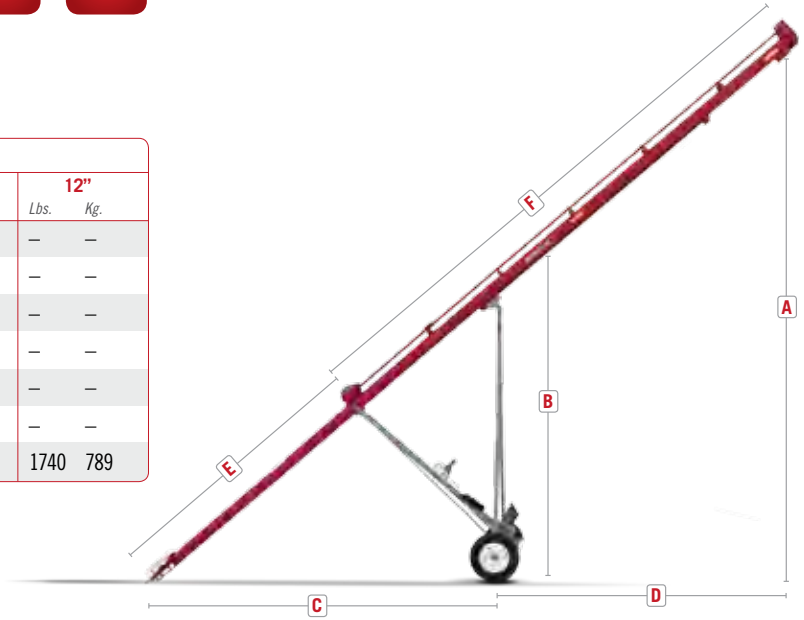


AUGER DIAMETERS AVAILABLE IN



SPECIFICATIONS

Model	Auger Length		Auger Weight							
	Feet	Meters	7"		8"		10"		12"	
			Lbs.	Kg.	Lbs.	Kg.	Lbs.	Kg.	Lbs.	Kg.
HD33	32' 9"	10	820	372	950	431	—	—	—	—
HD39	39' 4"	12	930	422	1070	485	—	—	—	—
HD46	45' 11"	14	1040	472	1200	544	1530	694	—	—
HD53	52' 6"	16	1190	540	1360	617	1680	762	—	—
HD59	59' 7"	18	—	—	1480	671	1860	844	—	—
TL33	32' 9"	10	—	—	—	—	1060	480	—	—
TL39	39' 4"	12	—	—	—	—	1180	535	1740	789



		HD33		HD39		HD46		HD53		HD59		TL33		TL39	
		Feet	Meters	Feet	Meters	Feet	Meters	Feet	Meters	Feet	Meters	Feet	Meters	Feet	Meters
A	RAISED	19' 10"	6.1	23' 6"	7.2	27' 7"	8.4	31' 6"	9.6	35' 6"	10.8	19' 10"	6.1	23' 6"	7.2
	LOWERED	8' 7"	2.6	8' 4"	2.6	9' 9"	3.0	11' 2"	3.4	12' 7"	3.9	8' 7"	2.6	8' 4"	2.6
B	RAISED	11' 1"	3.4	13' 1"	4.0	15' 5"	4.7	18' 0"	5.5	20' 4"	6.2	11' 1"	3.4	13' 1"	4.0
	LOWERED	6' 11"	2.1	7' 2"	2.2	8' 5"	2.6	9' 2"	2.8	10' 9"	3.3	6' 11"	2.1	7' 1"	2.2
C	RAISED	14' 6"	4.4	19' 3"	5.9	20' 8"	6.3	23' 8"	7.2	26' 9"	8.1	14' 6"	4.4	19' 3"	5.9
	LOWERED	19' 0"	5.8	21' 8"	6.6	25' 11"	7.9	29' 7"	9.0	33' 8"	10.3	19' 0"	5.8	21' 8"	6.6
D	RAISED	11' 9"	3.6	13' 4"	4.1	15' 1"	4.6	18' 1"	5.5	19' 9"	6.0	11' 9"	3.6	13' 5"	4.1
	LOWERED	13' 1"	4.0	15' 0"	4.6	18' 7"	5.7	21' 4"	6.5	23' 7"	7.2	13' 1"	4.0	15' 0"	4.6
E		10' 6"	3.2	12' 5"	3.8	14' 9"	4.5	16' 8"	5.1	19' 0"	5.8	10' 6"	3.2	12' 5"	3.8
F		21' 6"	6.6	25' 3"	7.7	29' 6"	9.0	34' 1"	10.4	38' 4"	11.7	21' 6"	6.6	25' 3"	7.7

	HD7	HD8	HD10	TL10	TL12
Auger Tube	7" OD x 16 gauge tubing	8" OD x 14 gauge tubing	10" OD x 13 gauge tubing	10" OD x 13 gauge tubing	12" OD x 12 gauge tubing
Flight	10 gauge	10 gauge	3/16"	3/16"	1/4"
Drive	Gas engine Electric motor PTO	Gas engine Electric motor PTO	Gas engine Electric motor PTO	Gas engine Electric motor PTO	Gas engine Electric motor PTO
Belt	Double V-Belt	Double V-Belt	Triple V-Belt	Double V-Belt	Triple V-Belt
Undercarriage	2 1/2" x 2 1/2" x 1/8" square structural tubing	2 1/2" x 2 1/2" x 1/8" square structural tubing	3" x 3" x 1/8" square structural tubing	2 1/2" x 2 1/2" x 1/8" square structural tubing	3" x 3" x 1/8" square structural tubing
Wheels	15" wheels c/w tapered roller bearings	15" wheels c/w tapered roller bearings	15" wheels c/w tapered roller bearings	15" wheels c/w tapered roller bearings	15" wheels c/w tapered roller bearings
Motor Mount	Self-leveling with built-in tension release	Self-leveling with built-in tension release	Self-leveling with built-in tension release	Self-leveling with built-in tension release	Self-leveling with built-in tension release
Power Required	14-16 HP Gas 5 - 7.5 HP Electric	20 HP Gas 10 HP Electric	35 HP Gas 20 HP Electric	27-30 HP Gas 20 HP Electric	40-50 HP Gas 20 HP Electric
Capacity Per Hour	1,800 - 2,400 bushels per hour	2,400 - 3,000 bushels per hour	4,500 - 6,000 bushels per hour	4,500 - 6,000 bushels per hour	8,000 - 10,000 bushels per hour

Details in spec sheets and capacities per hour are approximate.



MeridianAugers.com

Toll Free: **1 (855) 564-5947**

2902 Expansion Blvd.
Storm Lake, Iowa, United States 50588

2800 Pasqua St. North, PO Box 1996
Regina, Saskatchewan, Canada S4P 3E1

927 Douglas Street
Brandon, Manitoba, Canada R7A 7B3